

# Safety Valves

## Type 06205



Safety Valves, brass,  
type tested TÜV-SV.1090 S/G

Standard safety valve  
with FPM or PTFE valve seal, open bonnet,  
with discharge holes, with lifting device  
Inlet: male thread type G (BSPP) acc. to ISO 228/1

**Part No. 06205.X.0000 with FPM seal (0.2 up to 35.0 bar)**  
**Part No. 06205.X.0300 with PTFE seal (35.0 up to 43.0 bar)**

Available options - on request only:

- external parts nickel plated
- EPDM seal up to +150°C / +302°F (423K)

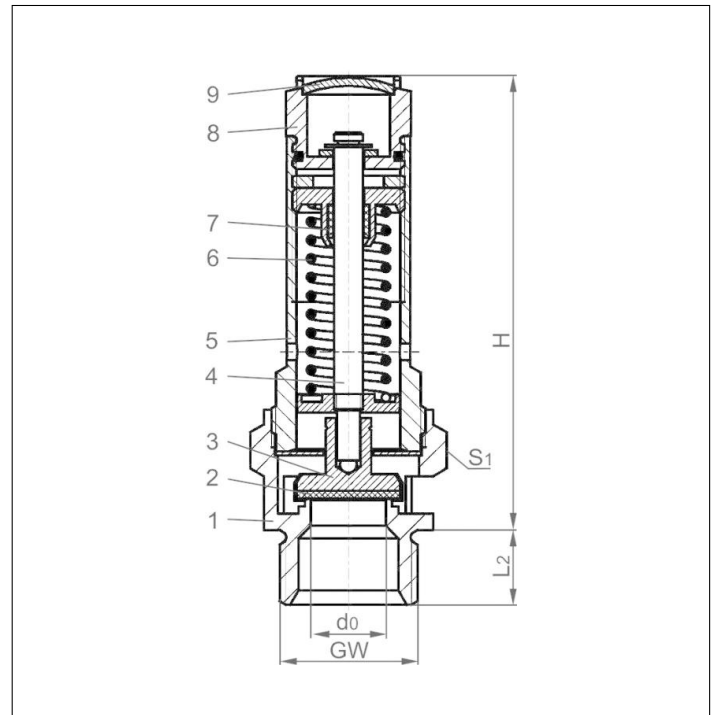


### Applications:

Provided as safety device for protection against excessive pressure in stationary and moveable gas cylinders and pressure vessels. Approved for air and similar gases.

Working temperature: -20°C / -4°F (253K) up to +160°C / +320°F (433K), size d<sub>0</sub>7 suitable for horizontal installation

Materials	DIN EN	ASME/ASTM
1 Body	CW614N	B 249 UNS C38500
2 Valve seal	FPM (Viton)	
3 Disc	CW614N	B 249 UNS C38500
4 Stem	CW614N	B 249 UNS C38500
5 Bonnet	CW614N	B 249 UNS C38500
6 Spring	1.1200	A 227
7 Stem guide	PTFE	
8 Lifting device	CW614N	B 249 UNS C38500
9 Closing cap	CW507L	B 36 UNS C26800



Type 06205	Technical data			
Nominal size	GW	1/4	3/8	1/2
Orifice	d <sub>0</sub>	7	7	7
Dimension code	.X.	0200	0300	0704
Set pressure range	bar	0.4-43	0.4-43	0.4-43
Height	H	60	60	67
Length	L <sub>2</sub>	10	10	12
Wrench size across flats	S <sub>1</sub>	21	21	24
Weight	ca. kg	0.07	0.07	0.17
Coeff. of discharge from 3.0 bar	α <sub>w</sub>	0.60	0.60	0.60

Dimensions in mm.

# Safety Valves

## Type 06205



### Discharge capacities

Calculation of flow rate acc. to AD2000-Merkblatt A2

Medium:

**Air** in m<sup>3</sup>/h at 0°C and 1013.25 mbar

**The capacity indicated below is for a fully opened valve.**

$d_0$  - orifice

$A_0$  - flow area

Set pressure in bar (g)	GW	1/4, 3/8 & 1/2
	$d_0$ (mm)	7.0
	$A_0$ (mm <sup>2</sup> )	38.48
	Medium	<b>Air</b>
0.2		-
0.4		19
0.6		24
0.8		28
1.0		32
2.0		51
3.0		68
4.0		85
5.0		103
6.0		120
7.0		138
8.0		155
9.0		173
10.0		191
11.0		206
12.0		226
14.0		261
16.0		296
18.0		330
20.0		369
22.0		404
25.0		457
27.0		492
30.0		550
32.0		586
34.0		621
36.0		657
38.0		693
40.0		735
42.0		770
43.0		788